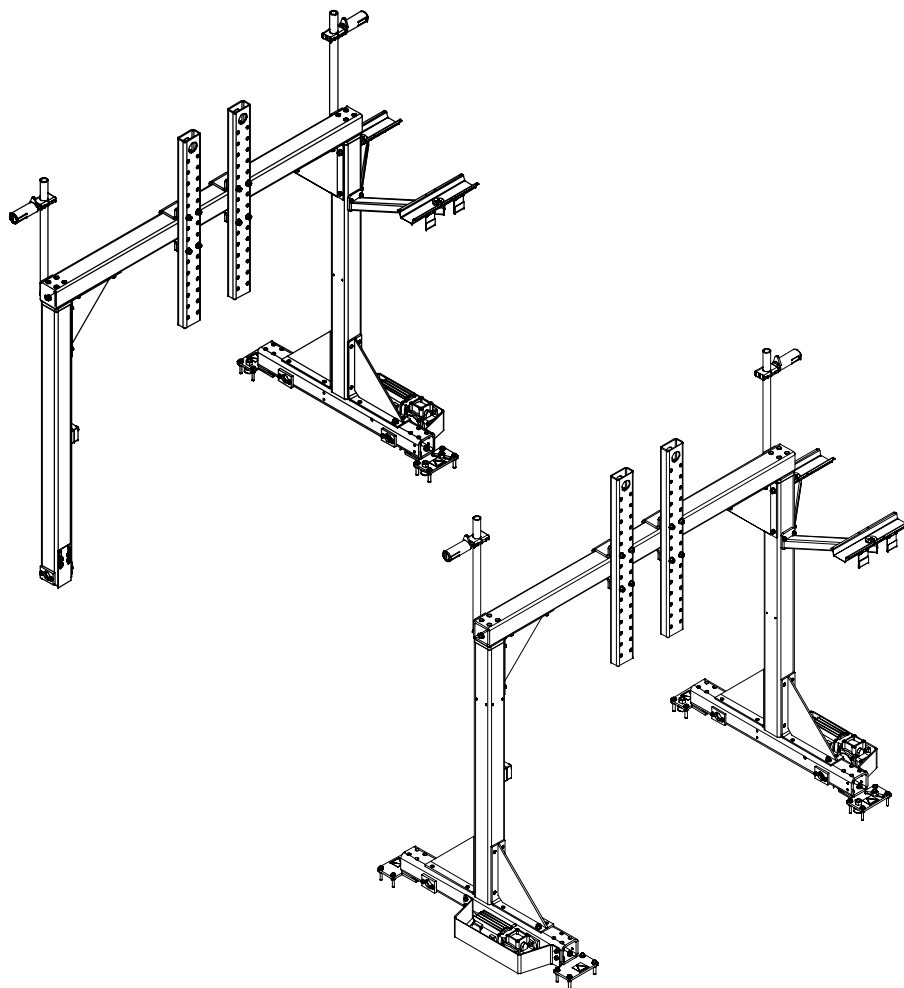


# ***MechTrac 1730/ 2100/ 2500/ 3000***



**Bruksanvisning  
Brugsanvisning  
Bruksanvisning  
Käyttöohjeet  
Instruction manual  
Betriebsanweisung**

**Manuel d'instructions  
Gebruiksaanwijzing  
Instrucciones de uso  
Istruzioni per l'uso  
Manual de instruções  
Οδηγίες χρήσεως**

SVENSKA .....	5
DANSK .....	15
NORSK .....	25
SUOMI .....	35
ENGLISH .....	45
DEUTSCH .....	55
FRANÇAIS .....	65
NEDERLANDS .....	75
ESPAÑOL .....	85
ITALIANO .....	95
PORTUGUÊS .....	105
ΕΛΛΗΝΙΚΑ .....	115

Rätt till ändring av specifikationer utan avisering förbehålles.  
 Ret til ændring af specifikationer uden varsel forbeholdes.  
 Rett til å endre spesifikasjoner uten varsel forbeholdes.  
 Oikeudet muutoksiin pidätetään.  
 Rights reserved to alter specifications without notice.  
 Änderungen vorbehalten.  
 Sous réserve de modifications sans avis préalable.  
 Recht op wijzigingen zonder voorafgaande mededeling voorbehouden.  
 Reservado el derecho de cambiar las especificaciones sin previo aviso.  
 Ci riserviamo il diritto di variare le specifiche senza preavviso.  
 Reservamo-nos o direito de alterar as especificações sem aviso prévio.  
 Διατηρείται το δικαίωμα τροποποίησης προδιαγραφών Χωρίς προειδοποίηση.

### **FÖRSÄKRAN OM ÖVERENSSTÄMMELSE**

ESAB AB Welding Automation, 695 81 Laxå, Sverige, försäkrar under eget ansvar att svetsutrustning MechTrac 1730/ 2100/ 2500/ 3000 från serienummer 0243 är i överensstämmelse med standard EN 60292 och EN 60204 enligt villkoren i direktiv (89/392/EEG) med tillägg (93/68/EEG).

---

### **OVERENSSTEMMELSEERKLÆRING**

ESAB AB Welding Automation, S- 695 81 Laxå, Sverige, erklærer på eget ansvar, at svejseudstyr MechTrac 1730/ 2100/ 2500/ 3000 fra serienummer 0243 er i overensstemmelse med standarden EN 60292 og EN 60204 ifølge betingelserne i direktiv (89/392/EØF) med tillæg (93/68/EØF).

---

### **FORSIKRING OM SAMSVAR**

ESAB AB Welding Automation, S-695 81 Laxå, Sverige, försäkrar på eget ansvar at sveiseutstyr MechTrac 1730/ 2100/ 2500/ 3000 fra serienummer 0243 er i overensstemmelse med standard EN 60292 og EN 60204 i følge vilkårene i direktiv (89/392/EF) med tillegg (93/68/EF).

---

### **VAATIMUSTENMUKAISUUSVAKUUTUS**

ESAB AB Welding Automation, S-695 81 Laxå, Ruotsi, vakuuttaa omalla vastuullaan, että hitsauslaitteisto MechTrac 1730/ 2100/ 2500/ 3000 alkaen sarjanumerosta 0243 täyttää standardin EN 60292 ja EN 60204 vaatimukset direktiivin (89/392/ETY) ja sen lisäysten (93/68/ETY).

---

### **DECLARATION OF CONFORMITY**

ESAB AB Welding Automation, S-695 81 Laxå, Sweden, gives its unreserved guarantee that welding equipment MechTrac 1730/ 2100/ 2500/ 3000 from serial number 0243 complies with standard EN 60292 and EN 60204, in accordance with the requirements of directive (89/392/EEC) and addendum (93/68/EEC).

---

### **ZULASSUNGSNACHWEIS**

ESAB AB Welding Automation, S-695 81 Laxå Schweden, bestätigt hiermit in Eigenverantwortung, daß der Schweißausrüstung MechTrac 1730/ 2100/ 2500/ 3000 ab Seriennummer 0243 dem Standard EN 60292 und EN 60204 gemäß den Bedingungen der Direktive (89/392/EEG) mit Zusatz (93/68/EEG).

---

### **CERTIFICAT DE CONFORMITÉ**

ESAB AB Welding Automation, S-695 81 Laxå, Suède, certifie que l'équipement de soudage MechTrac 1730/ 2100/ 2500/ 3000 à partir du numéro de série 0243 est conforme à la norme EN 60292 et EN 60204 selon les conditions de la directive (89/392/CEE) avec additif (93/68/CEE).

---

### **VERKLARING VAN OVEREENSTEMMING**

ESAB AB Welding Automation, S-695 81 Laxå Zweden, verklaart geheel onder eigen verantwoordelijkheid dat lasuitrusting MechTrac 1730/ 2100/ 2500/ 3000 van het serienummer 0243 in overeenstemming is met norm EN 60292 en EN 60204 conform de bepalingen in richtlijn (89/392/EEG) met annex (93/68/EEG).

---

### **DECLARACIÓN DE CONFORMIDAD**

ESAB AB Welding Automation, S-695 81 Laxå, Suecia, garantiza bajo propia responsabilidad que el equipo de soldadura MechTrac 1730/ 2100/ 2500/ 3000 a partir del número de serie 0243 concuerda con la norma EN 60292 y EN 60204 conforme a la directiva (89/392/CEE) con el suplemento (93/68/CEE).

---

### **DICHIARAZIONE DI CONFORMITA**

ESAB AB Welding Automation, S-695 81 Laxå Svezia, dichiara sotto la propria responsabilità che una apparecchio per saldatura MechTrac 1730/ 2100/ 2500/ 3000 con numero di serie a partire da 0243 è conforme alla norma EN 60292 e EN 60204 come previsto dalla direttiva (89/392/CEE) e successive integrazioni (93/68/CEE).

---

### **DECLARAÇÃO DE CONFORMIDADE**

ESAB AB Welding Automation, S-695 81 Laxå Suécia, garante sob responsabilidade própria que a equipamento de soldadura MechTrac 1730/ 2100/ 2500/ 3000 a partir do número de série 0243 está em conformidade com a norma EN 60292 e EN 60204 segundo os requisitos da directiva (89/392/CEE) com o suplemento (93/68/CEE).

---

### **ΔΗΛΩΣΗ ΣΥΜΜΟΡΦΩΣΗΣ**

Η εταιρεία ESAB AB Welding Automation, S-695 81 Laxå, Σουηδία, δηλώνει ότι τα μηχανήματα Ηλεκτροσυγκόλλησης MechTrac 1730/ 2100/ 2500/ 3000 από τον αριθμό σειράς 0243 και έπειτα, συμμορφώνονται με το πρότυπο EN 60292 και EN 60204 σύμφωνα με τις απαιτήσεις της οδηγίας (89/392/EEG) και του παραρτήματος (93/68/EEG).

---

Laxå 2003-04-11



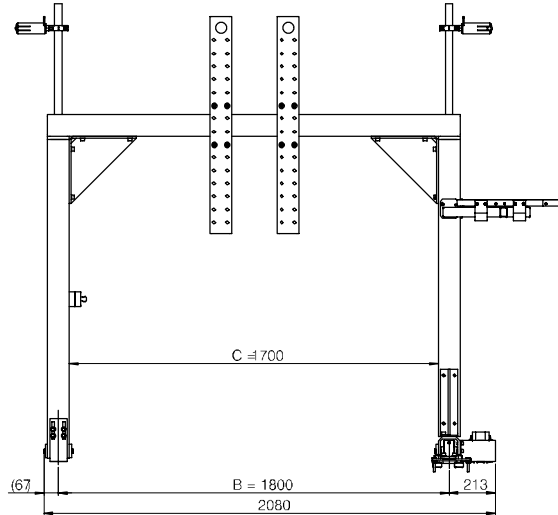
Kennet Fahlström  
Group Manager Mechanical Design  
Automation Products  
ESAB AB Welding Automation  
695 81 LAXÅ  
SWEDEN

Tel: + 46 584 81000

Fax: + 46 584 411721

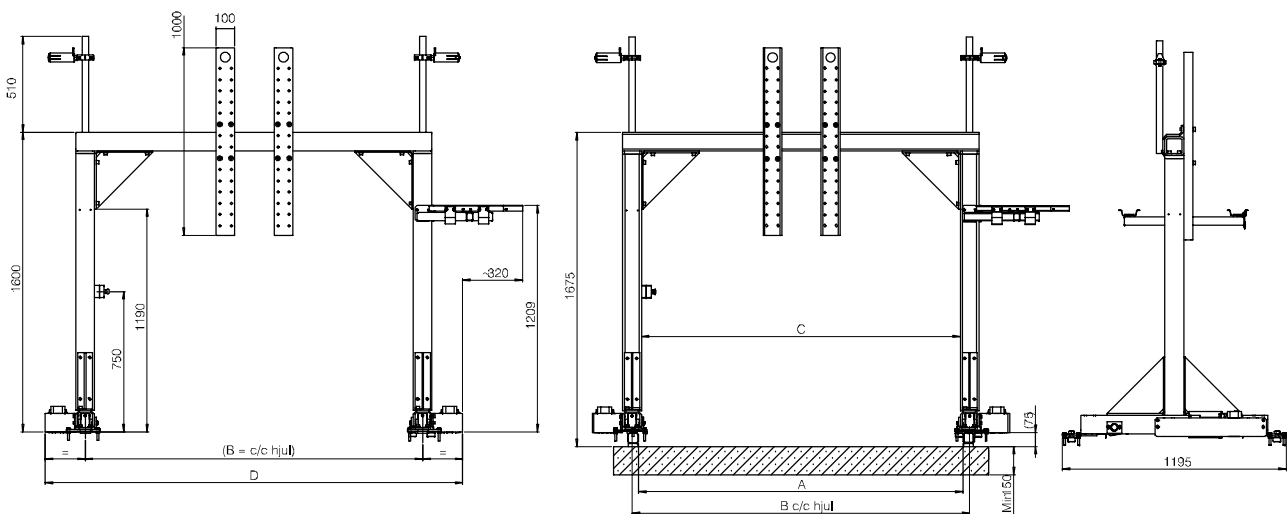
Måttskiss Målskitse Målskisse Mittapiirustus Dimension drawing Mass-  
 bild Cotes d'encombrement Maatschets Croquis acotado Dimensioni  
 Esboço com dimensões Σχεδιάγραμμα μεγεθών

Single version



Double version

Group	A	B	C	D
881	1730	1800	1700	2227
882	2100	2170	2070	2597
883	2500	2570	2470	2997
884	3000	3070	2970	3497

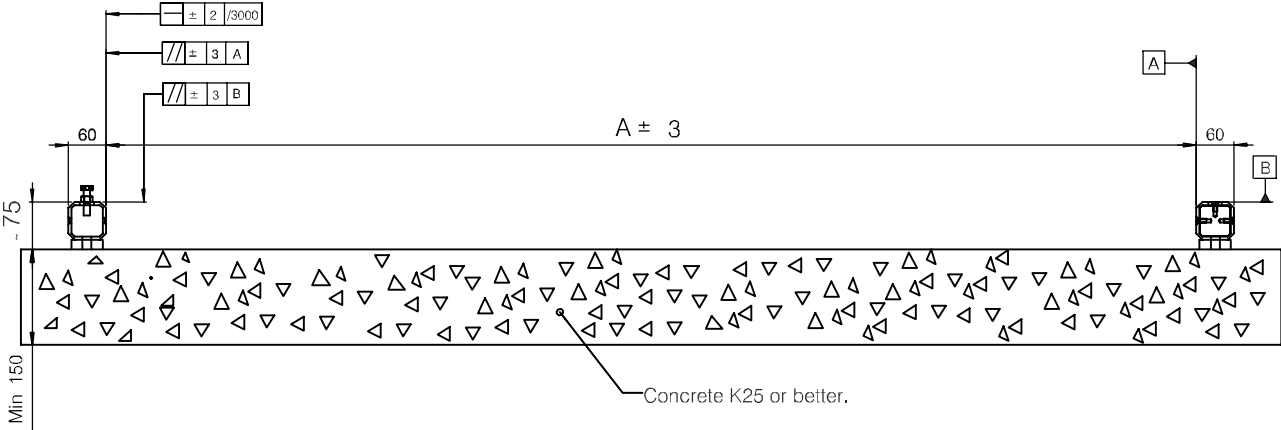


**Rail foundation**

*The rail is bolted with M12 bolts.*

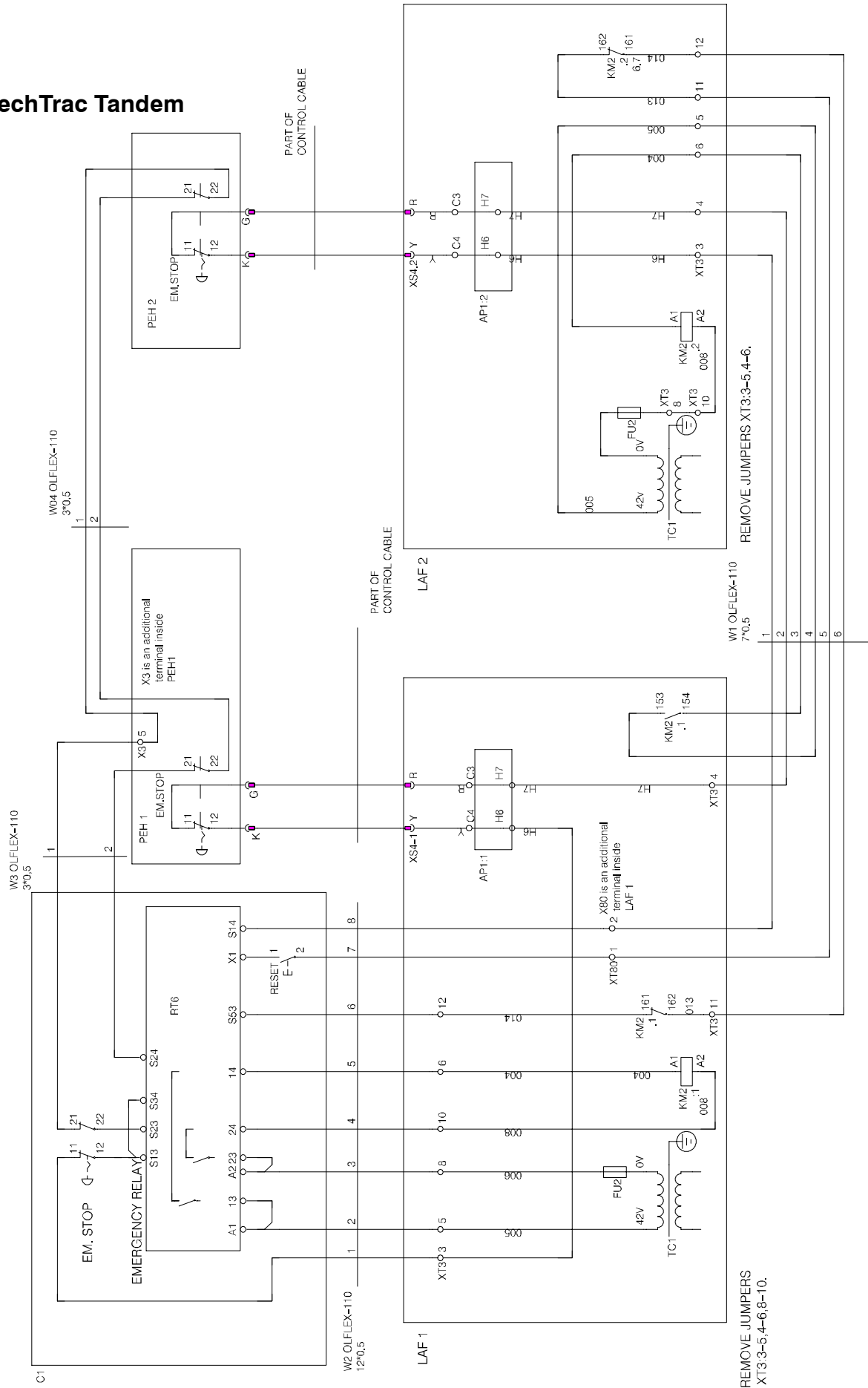
*Use metal sheets of different thickness to adjust the rail according to dimensions.*

A
1730
2100
2500
3000

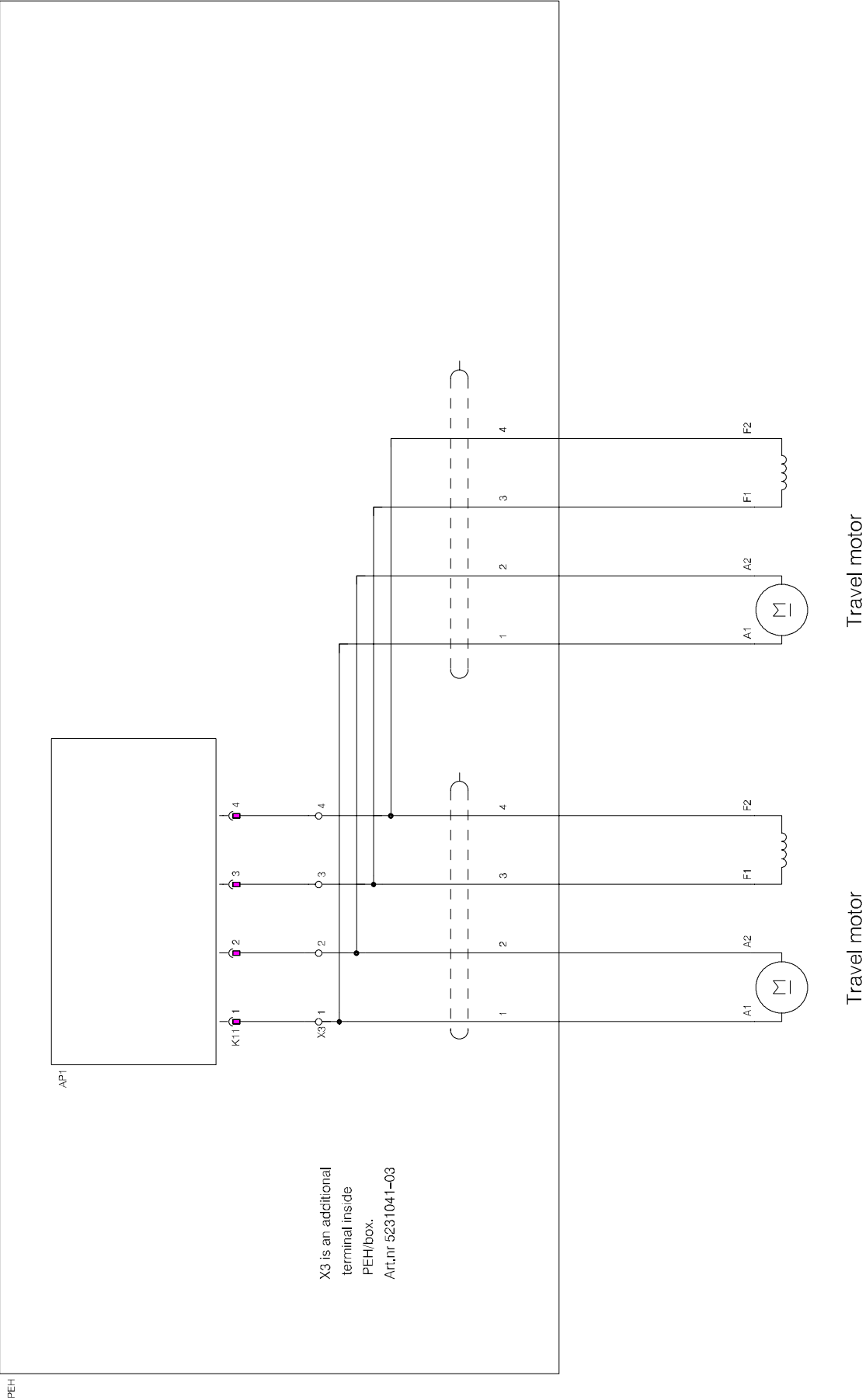


Schema Skema Skjema Johdotuskaavio Diagram Schaltplan Schéma  
 Schema Esquema Schema Esquema Σχήμα σύνδεσης

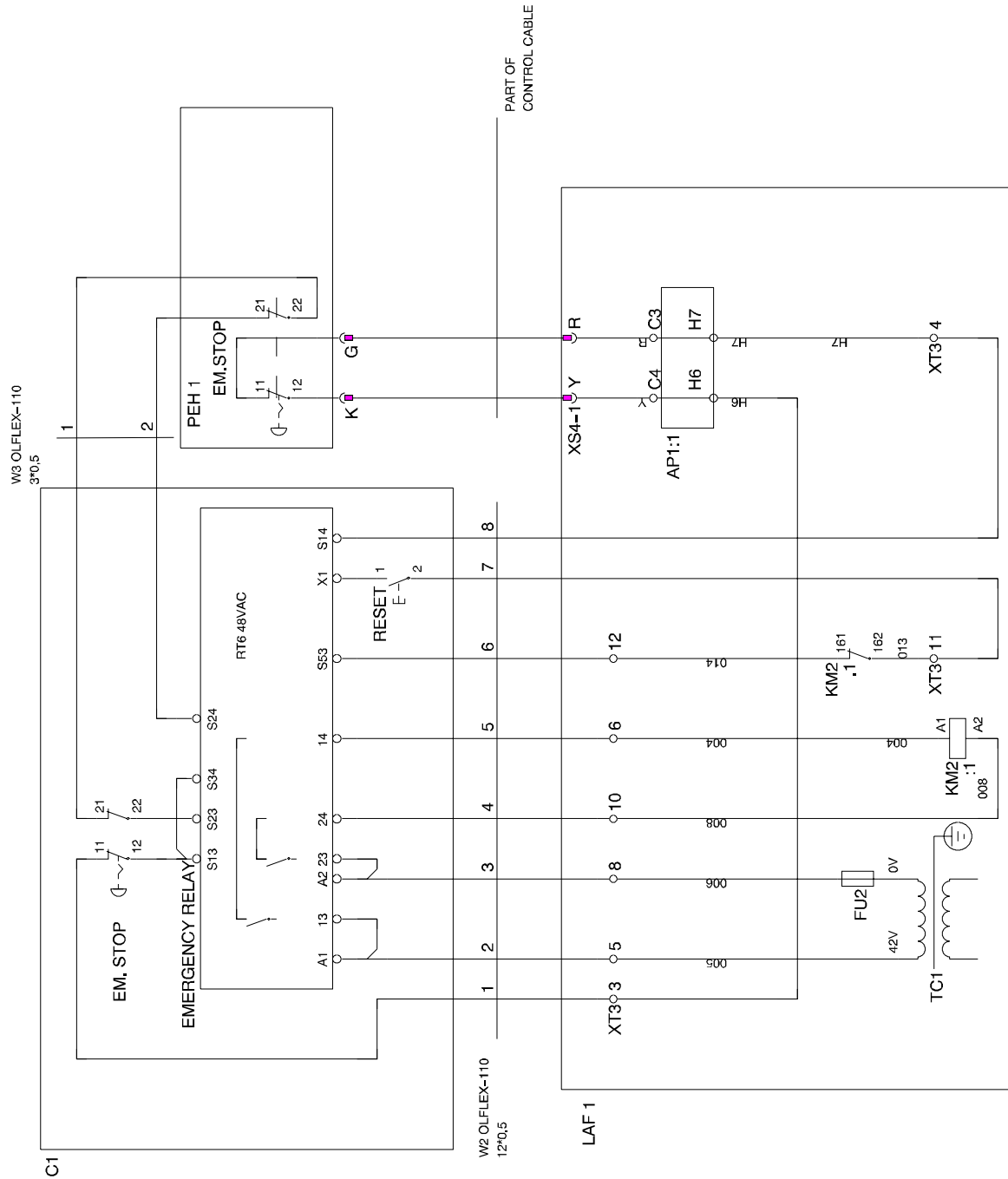
**MechTrac Tandem**



# MechTrac dual travel motors



# MechTrac single head

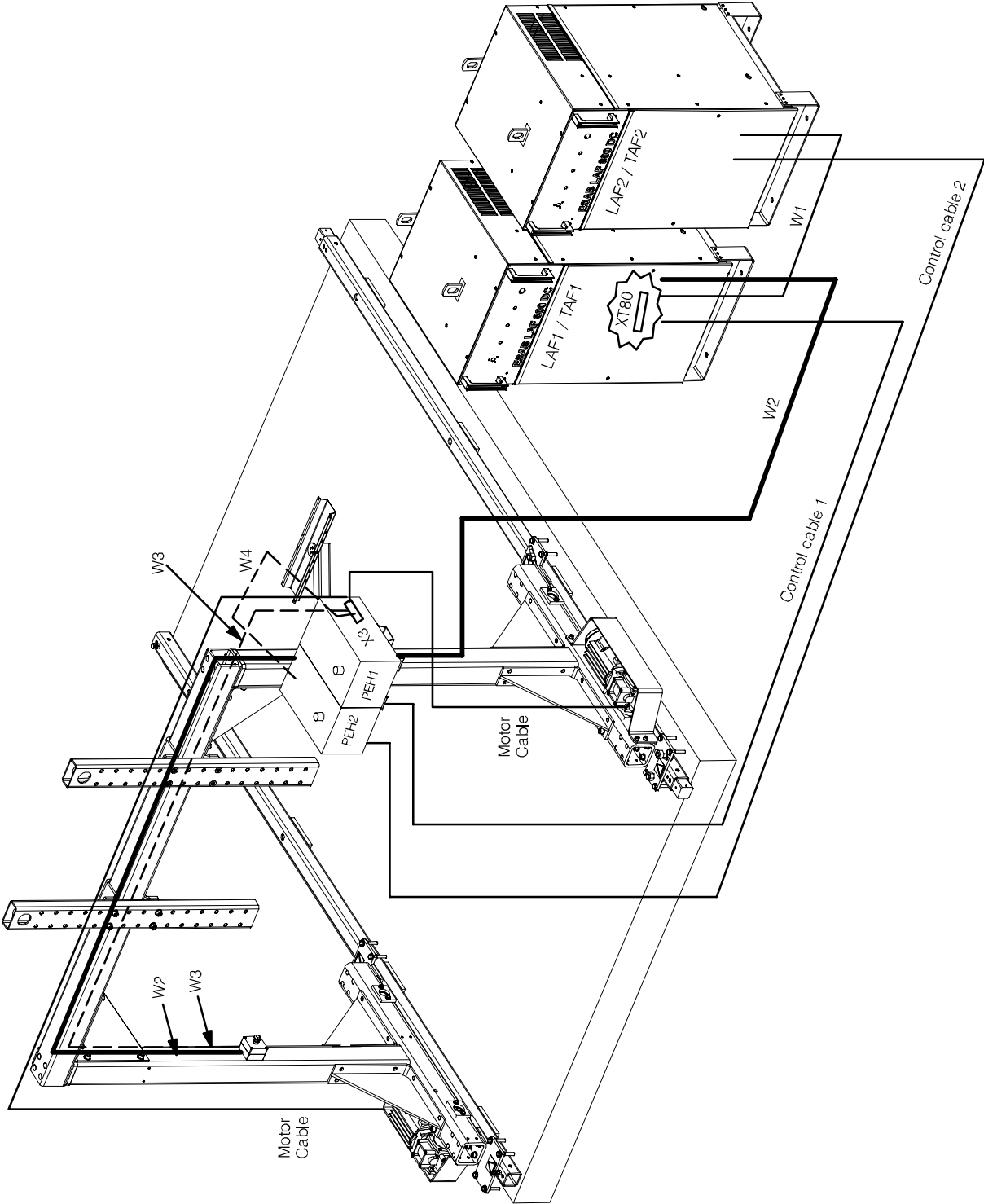


REMOVE JUMPERS XT3:3-5, 4-6, 8-10

**Electrical system**

Mount **X3** in an appropriate place in PEH1

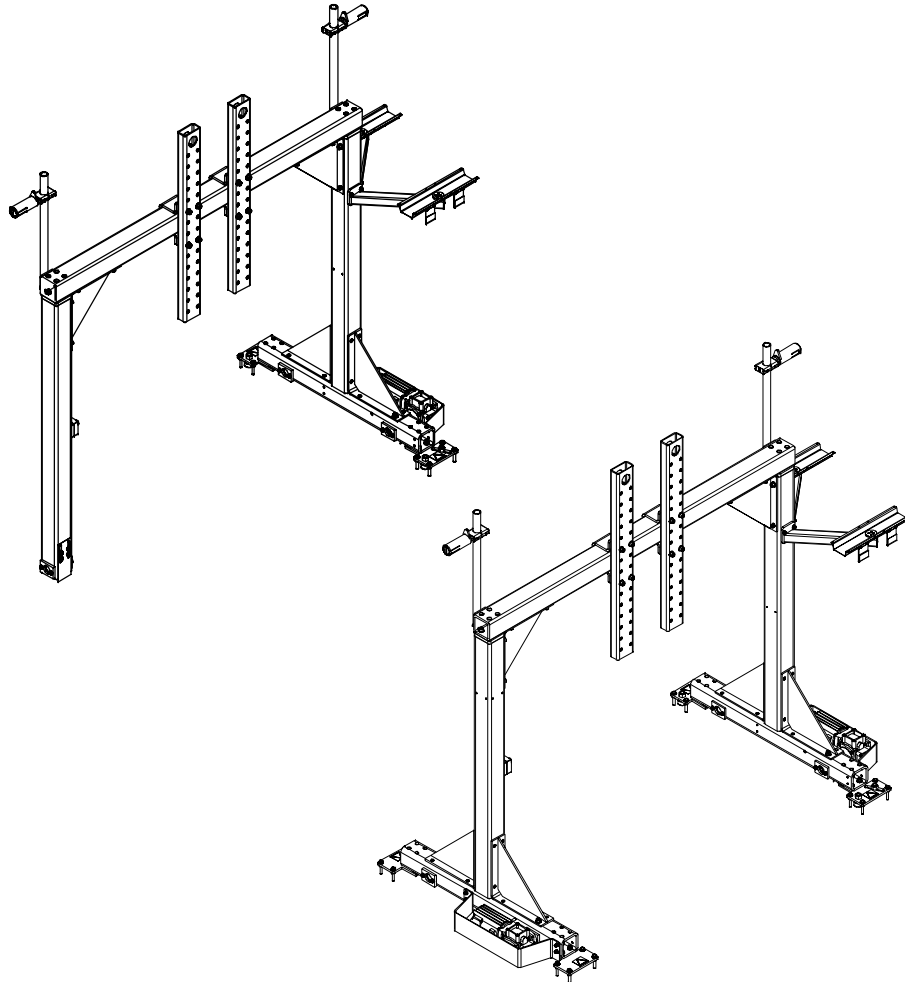
Mount **XT80** in an appropriate place in LAF1/ TAF1



Reservdelsförteckning Reservdelsfortegnelse Reservedelsliste  
 Varaosaluettelo Spare parts list Ersatzteilliste Liste de pièces détachées  
 Reserveonderdelenlijst Lista de repuestos Elenco ricambi Lista de peças  
 sobressalentes Πίνακας ανταλλακτικών μερών

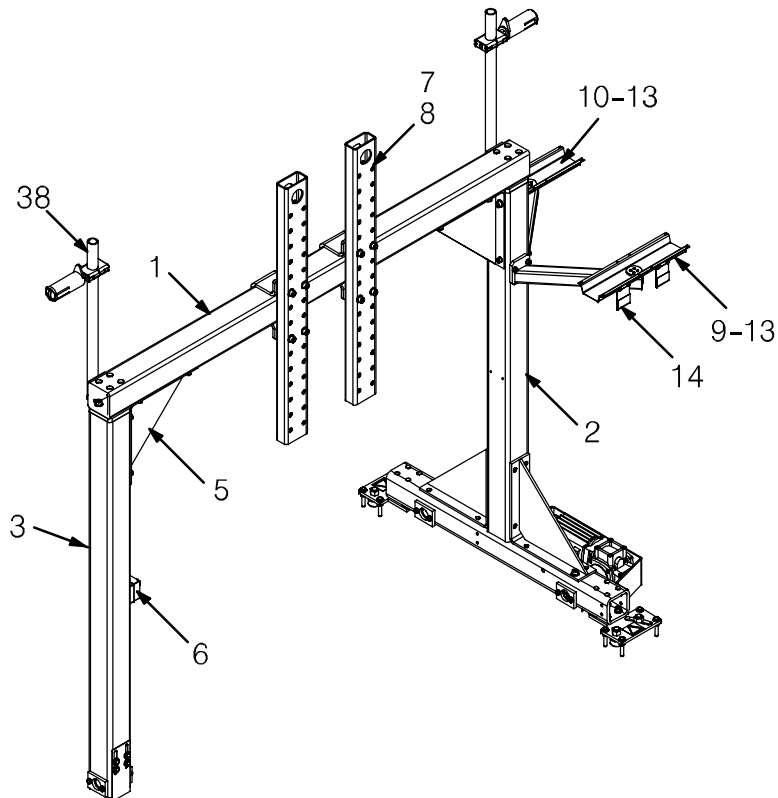
**MechTrac 1730/ 2100/ 2500/ 3000**

Edition 2006-04-24

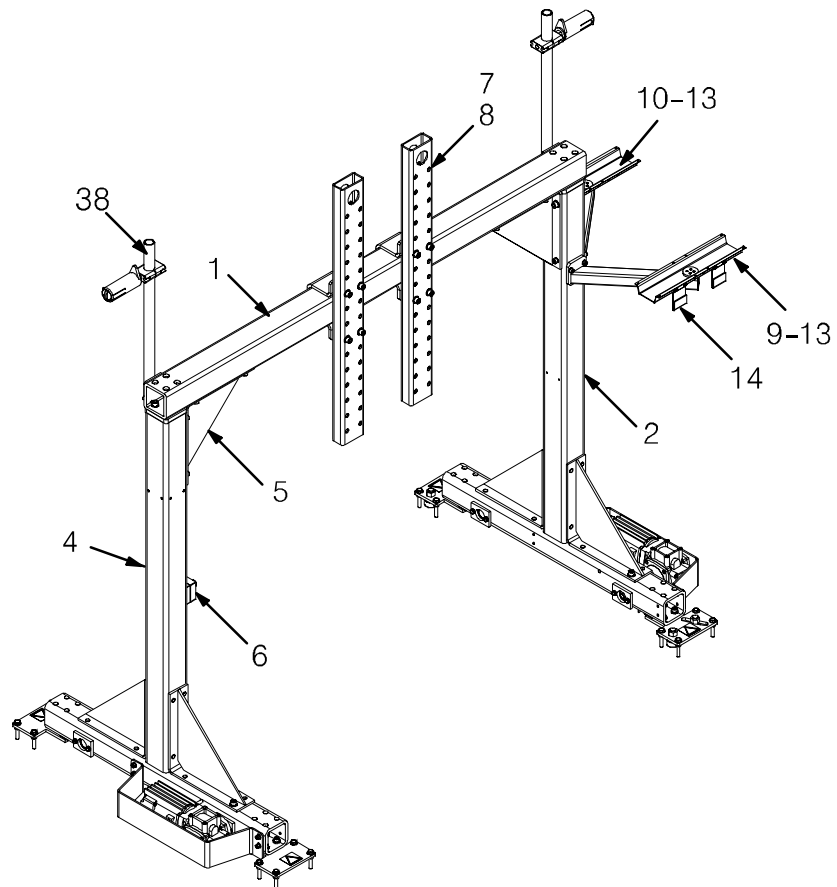


Ordering no.	Denomination	Notes
0809 670 880	Gantry	MechTrac 1730 (Single)
0809 670 881	Gantry	MechTrac 1730 (double)
0809 670 882	Gantry	MechTrac 2100
0809 670 883	Gantry	MechTrac 2500
0809 670 884	Gantry	MechTrac 3000
0806 707 880	Rail complete	
0806 707 881	Rail complete	

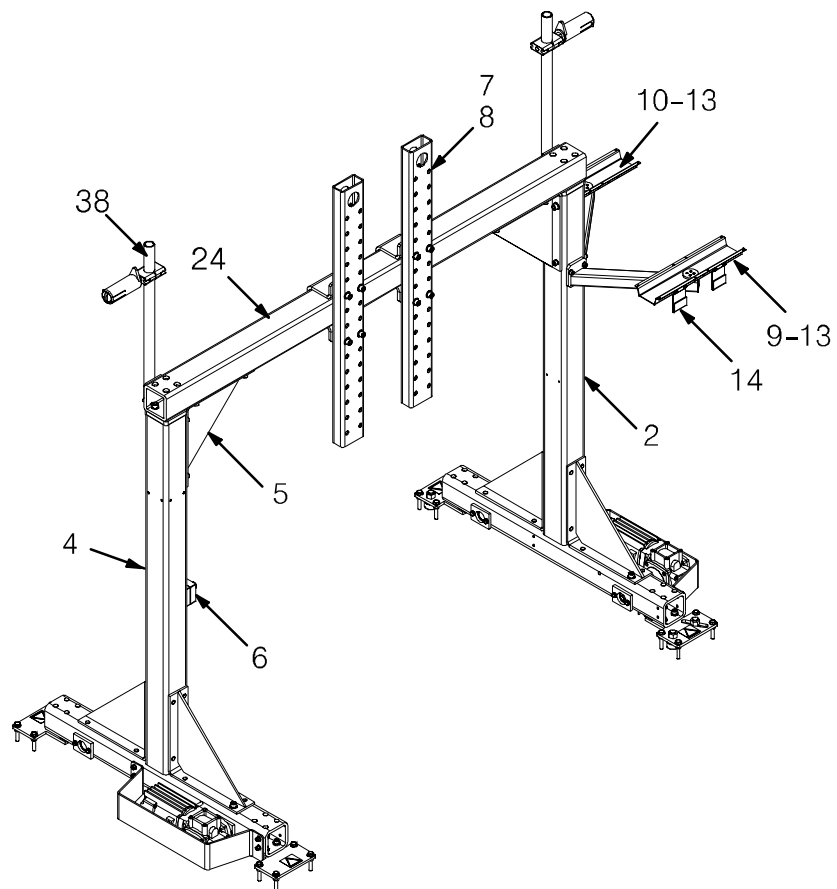
Item no.	Qty	Ordering no.	Denomination	Notes
		<b>0809 670 880</b>	<b>Gantry</b>	<b>MechTrac 1730 (single)</b>
1	1	0809 662 001	Beam	
2	1	0809 667 881	Drive kit, right	
3	1	0809 668 880	Leg	
5	2	0806 474 880	Support	
6	1	0449 472 880	Emergency stop box	
7	2	0449 320 001	Attachment	
8	2	0806 471 001	Arm	
9	1	0334 522 880	Box holder	
10	2	0334 187 001	Box girder beam	
11	16	0219 504 405	Cup spring	
12	2	0153 321 001	Disc	
13	2	0153 322 001	Disc	
14	2	0433 744 001	Hanger	
32	1	0805 586 103	Auxiliary contact block	
33	3	0802 803 263	Cable	4x1.5
34	10	0802 803 420	Cable	2x1.5
38	2	0449 255 880	Bobbin holder complete	



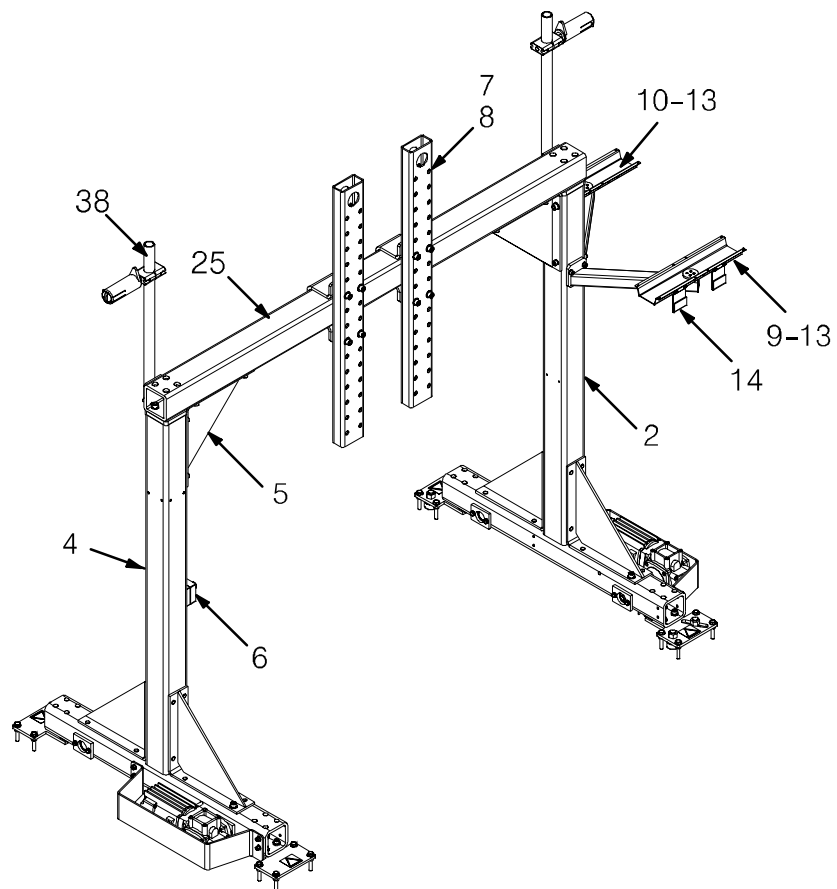
Item no.	Qty	Ordering no.	Denomination	Notes
		<b>0809 670 881</b>	<b>Gantry</b>	<b>MechTrac 1730 (double)</b>
1	1	0809 662 001	Beam	
2	1	0809 667 881	Drive kit, right	
4	1	0809 667 880	Drive kit, left	
5	2	0806 474 880	Support	
6	1	0449 472 880	Emergency stop box	
7	2	0449 320 001	Attachment	
8	2	0806 471 001	Arm	
9	1	0334 522 880	Box holder	
10	2	0334 187 001	Box girder beam	
11	16	0219 504 405	Cup spring	
12	2	0153 321 001	Disc	
13	2	0153 322 001	Disc	
14	2	0433 744 001	Hanger	
32	1	0805 586 103	Auxiliary contact block	
33	3	0802 803 263	Cable	4x1.5
34	10	0802 803 420	Cable	2x1.5
38	2	0449 255 880	Bobbin holder complete	



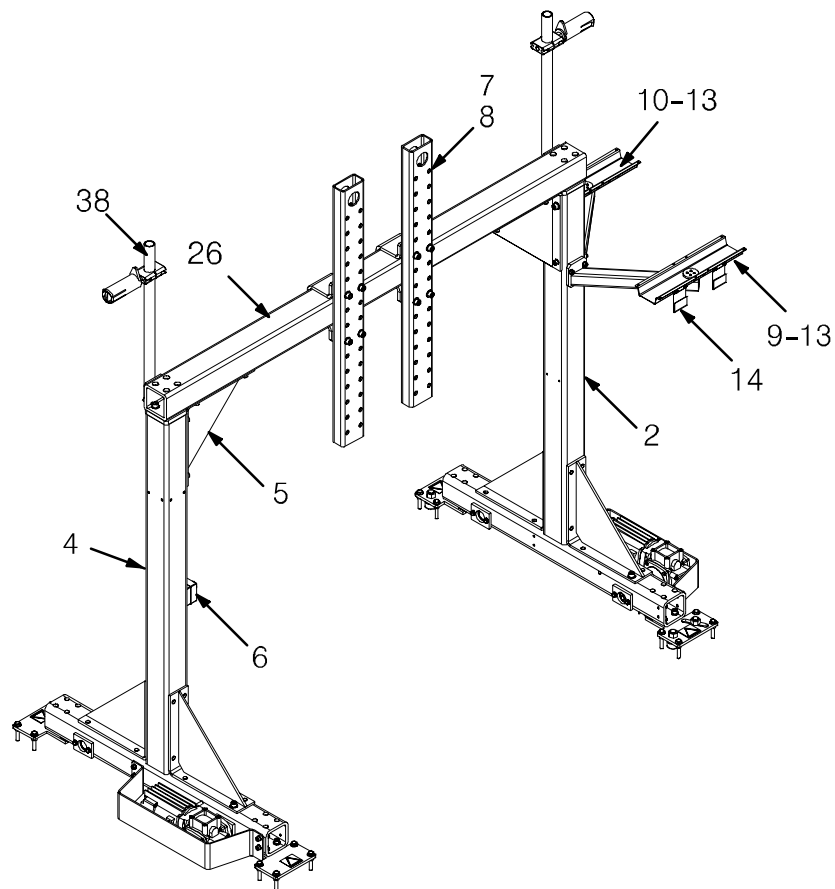
Item no.	Qty	Ordering no.	Denomination	Notes
		<b>0809 670 882</b>	<b>Gantry</b>	<b>MechTrac 2100 (double)</b>
2	1	0809 667 881	Drive kit, right	
4	1	0809 667 880	Drive kit, left	
5	2	0806 474 880	Support	
6	1	0449 472 880	Emergency stop box	
7	2	0449 320 001	Attachment	
8	2	0806 471 001	Arm	
9	1	0334 522 880	Box holder	
10	2	0334 187 001	Box girder beam	
11	16	0219 504 405	Cup spring	
12	2	0153 321 001	Disc	
13	2	0153 322 001	Disc	
14	2	0433 744 001	Hanger	
24	1	0809 662 002	Beam	
32	1	0805 586 103	Auxiliary contact block	
33	3	0802 803 263	Cable	4x1.5
34	10	0802 803 420	Cable	2x1.5
38	2	0449 255 880	Bobbin holder complete	



Item no.	Qty	Ordering no.	Denomination	Notes
		<b>0809 670 883</b>	<b>Gantry</b>	<b>MechTrac 2500 (double)</b>
2	1	0809 667 881	Drive kit, right	
4	1	0809 667 880	Drive kit, left	
5	2	0806 474 880	Support	
6	1	0449 472 880	Emergency stop box	
7	2	0449 320 001	Attachment	
8	2	0806 471 001	Arm	
9	1	0334 522 880	Box holder	
10	2	0334 187 001	Box girder beam	
11	16	0219 504 405	Cup spring	
12	2	0153 321 001	Disc	
13	2	0153 322 001	Disc	
14	2	0433 744 001	Hanger	
25	1	0809 662 003	Beam	
32	1	0805 586 103	Auxiliary contact block	
33	3	0802 803 263	Cable	4x1.5
34	10	0802 803 420	Cable	2x1.5
38	2	0449 255 880	Bobbin holder complete	

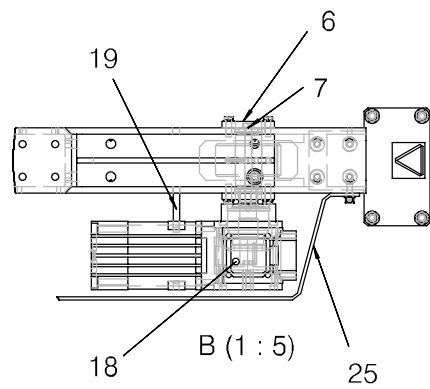
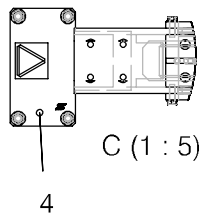
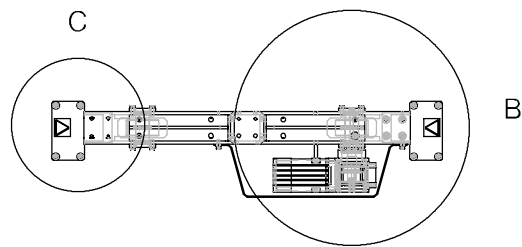
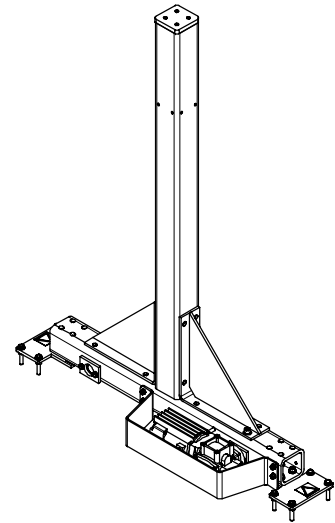
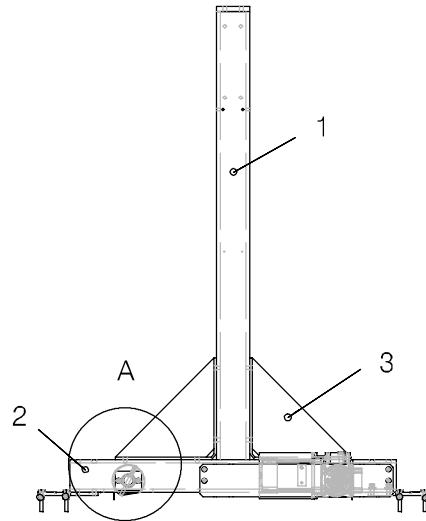
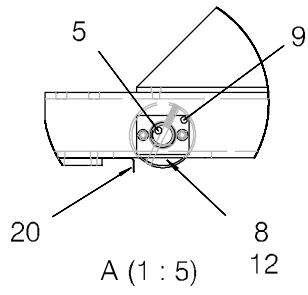


Item no.	Qty	Ordering no.	Denomination	Notes
		<b>0809 670 884</b>	<b>Gantry</b>	<b>MechTrac 3000 (double)</b>
2	1	0809 667 881	Drive kit, right	
4	1	0809 667 880	Drive kit, left	
5	2	0806 474 880	Support	
6	1	0449 472 880	Emergency stop box	
7	2	0449 320 001	Attachment	
8	2	0806 471 001	Arm	
9	1	0334 522 880	Box holder	
10	2	0334 187 001	Box girder beam	
11	16	0219 504 405	Cup spring	
12	2	0153 321 001	Disc	
13	2	0153 322 001	Disc	
14	2	0433 744 001	Hanger	
26	1	0809 662 004	Beam	
32	1	0805 586 103	Auxiliary contact block	
33	3	0802 803 263	Cable	4x1.5
34	10	0802 803 420	Cable	2x1.5
38	2	0449 255 880	Bobbin holder complete	

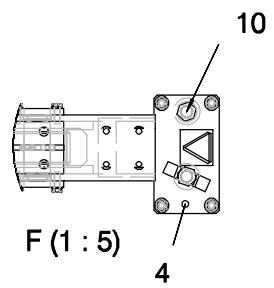
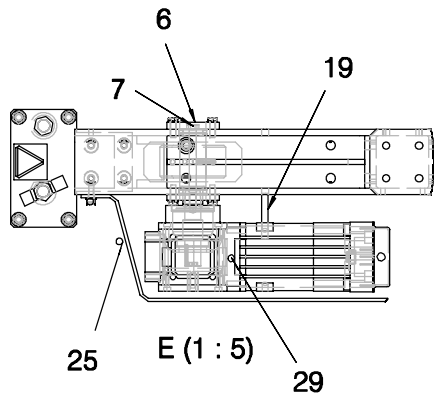
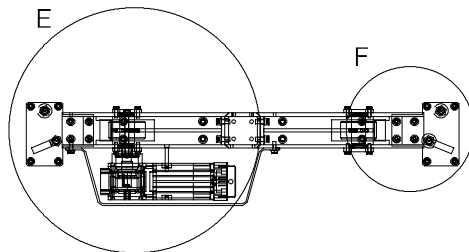
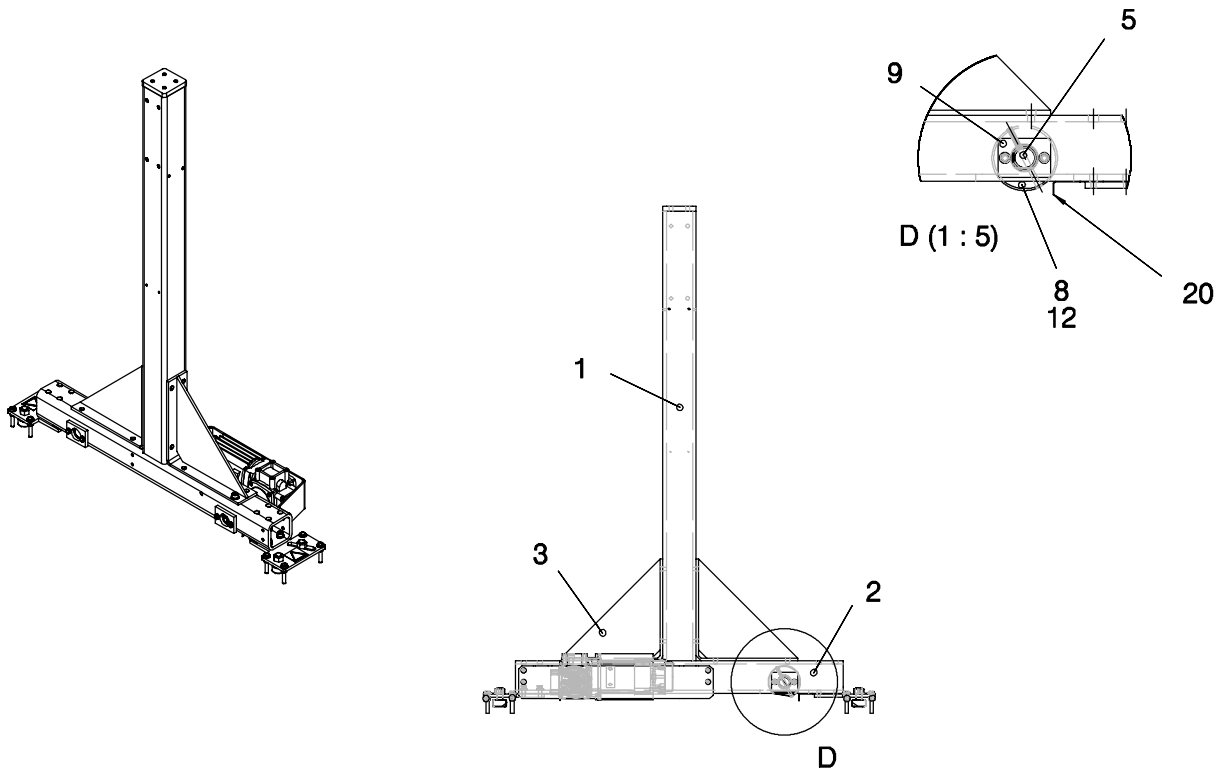




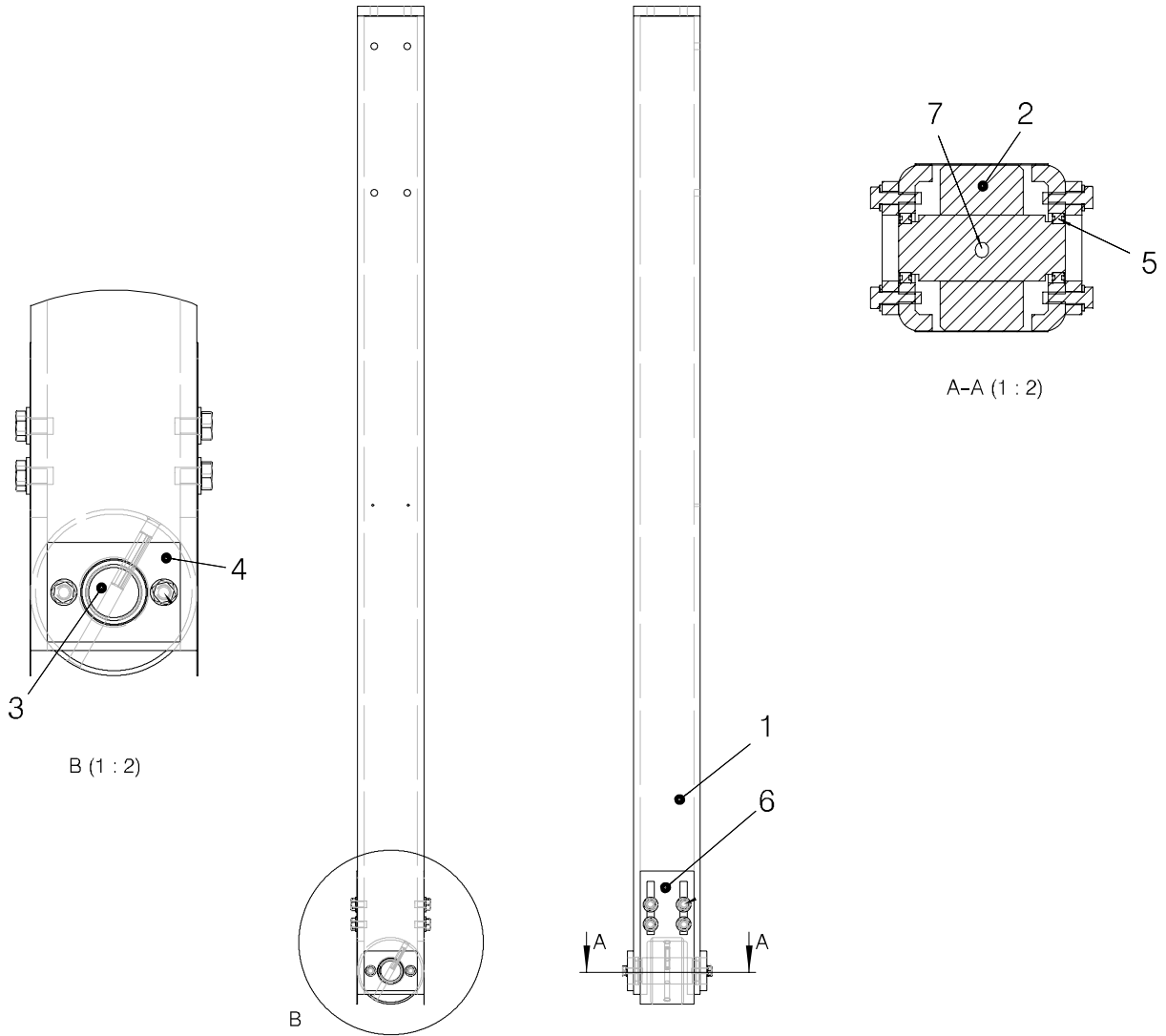
Item no.	Qty	Ordering no.	Denomination	Notes
		<b>0809 667 880</b>	<b>Drive kit, left</b>	
1	1	0806 484 880	Left leg	
2	1	0806 477 001	Leg	
3	2	0806 474 880	Support	
4	2	0809 666 002	Holder	
5	1	0806 479 001	Drive shaft	
6	1	0806 479 002	Drive shaft	
7	4	0806 480 001	Ball-bearing	
8	2	0806 485 001	Wheel	
9	4	0806 472 001	Bracket	
12	2	0211 103 007	Roll pin	d 8x36
18	1	0147 018 902	Motor with gear	A6 VEC (4000rpm 672:1), see separate manual
19	1	0449 218 001	Bar	
20	2	0806 476 001	Scraper,angled	
23	1	0456 490 884	Cable	7 m (A6 VEC-PEH)
25	1	0449 319 001	Protection	



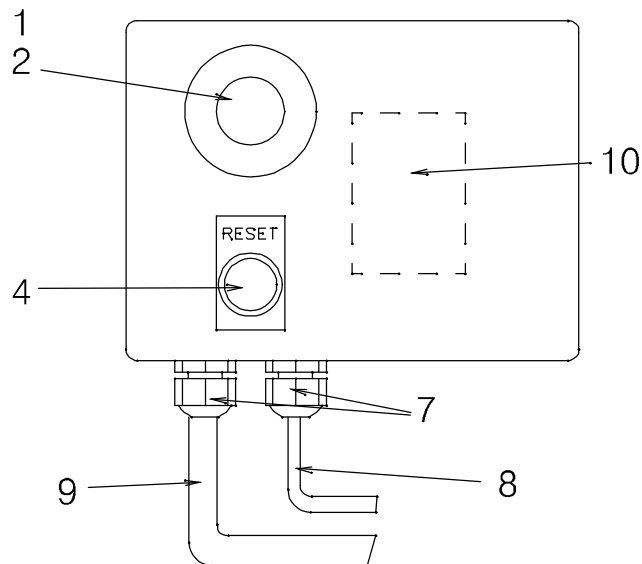
Item no.	Qty	Ordering no.	Denomination	Notes
		<b>0809 667 881</b>	<b>Drive kit, right</b>	
1	1	0806 484 880	Left leg	
2	1	0806 477 001	Leg	
3	2	0806 474 880	Support	
4	2	0809 666 001	Holder	
5	1	0806 479 001	Drive shaft	
6	1	0806 479 002	Drive shaft	
7	4	0806 480 001	Ball-bearing	
8	2	0806 485 001	Wheel	
9	4	0806 472 001	Bracket	
10	4	0806 475 001	Roller	
12	2	0211 103 007	Roll pin	d 8x36
19	1	0449 218 001	Bar	
20	2	0806 476 001	Scraper,angled	
23	1	0456 490 884	Cable	7m (A6 VEC-PEH)
25	1	0449 319 001	Protection	
29	1	0147 018 892	Motor with gear	A6 VEC (4000rpm 672:1), see separate manual
31	1	0805 586 103	Auxiliary contact block	lad-n20 2sl
32	4	0802 803 263	Cable	4x1.5



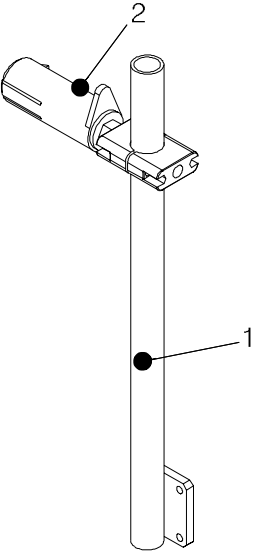
Item no.	Qty	Ordering no.	Denomination	Notes
		<b>0809668880</b>	<b>Leg</b>	
1	1	0806482880	Right leg	
2	1	0806485001	Wheel	
3	1	0806479001	Shaft	
4	2	0806472001	Bracket	
5	2	0806480001	Ball-bearing	
6	2	0806478001	Scraper	
7	1	0211103007	Roll pin	d 8x36



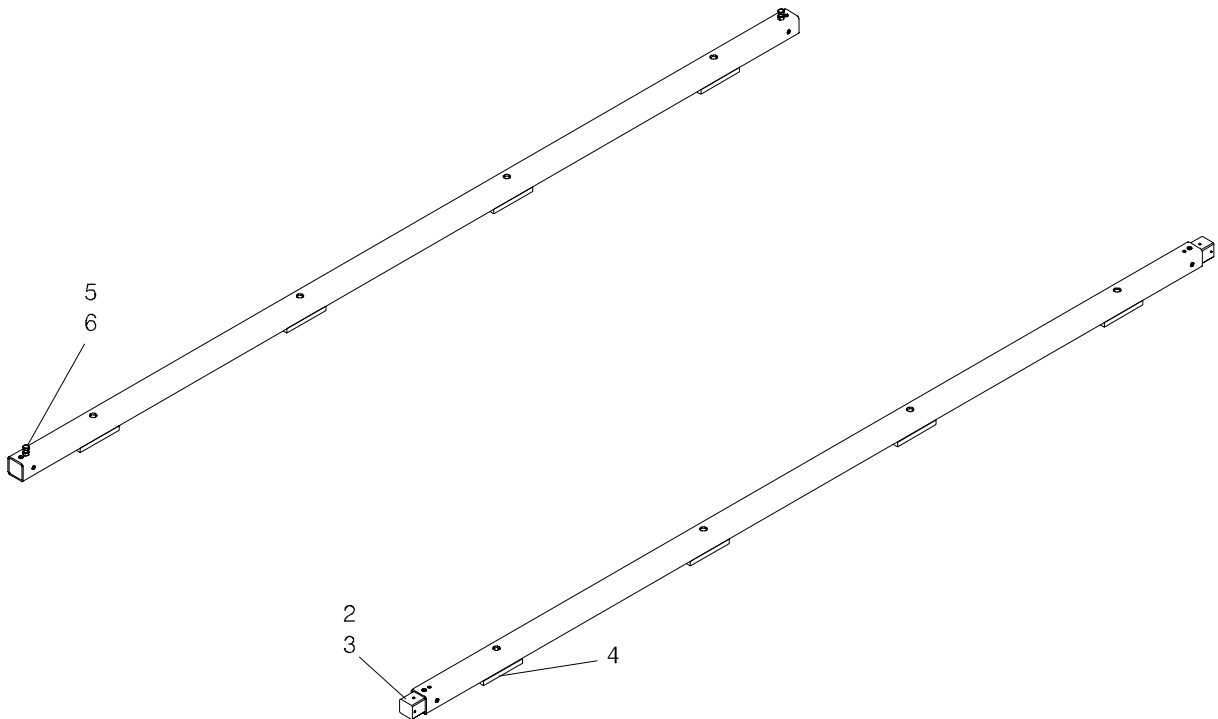
Item no.	Qty	Ordering no.	Denomination	Notes
		<b>0449472880</b>	<b>Emergency stop box</b>	
1		0443740001	Emergency stop	
2		0443740002	Contact block	
4		0806738004	Push button, blue	
7		0807952002	Fitting	ST-M16
8		0802803003	Cable	L = 7m
9		0802803035	Cable	L = 30m
10		0451385010	Emergency stop relay	RT6 48 V AC
W04		0802803003	Cable	Öfflex 110 3*0.5
X3			Terminal PEH 1	
XT80			Terminal LAF 1	
W1		0802803009	Cable	L = 4m, Öfflex 110 7G0.5
PEH		0807952002	Fitting	ST-M16



Item no.	Qty	Ordering no.	Denomination	Notes
		<b>0449255880</b>	<b>Bobbin holder complete</b>	
1	1	0334318880	Bobbin holder straight	
2	1	0146967880	Brake hub	



Item no.	Qty	Ordering no.	Denomination	Notes
		<b>0806 707 880</b>	<b>Rail (Basic)</b>	
1	2	0806 700 001	Rail	
4	8	0806 701 001	Base plate	
5	2	0212 601 110	Nut	M10
6	2	0212 101 608	Screw	M10x40
		<b>0806 707 881</b>	<b>Rail (Extension)</b>	
1	2	0806 700 001	Rail	
2	2	0806 703 001	Inner plate	
3	12	0190 684 638	Screw	M16x90
4	8	0806 701 001	Base plate	



# ESAB subsidiaries and representative offices

## Europe

### AUSTRIA

ESAB Ges.m.b.H  
Vienna-Liesing  
Tel: +43 1 888 25 11  
Fax: +43 1 888 25 11 85

### BELGIUM

S.A. ESAB N.V.  
Brussels  
Tel: +32 2 745 11 00  
Fax: +32 2 745 11 28

### THE CZECH REPUBLIC

ESAB VAMBERK s.r.o.  
Prague  
Tel: +420 2 819 40 885  
Fax: +420 2 819 40 120

### DENMARK

Aktieselskabet ESAB  
Copenhagen-Valby  
Tel: +45 36 30 01 11  
Fax: +45 36 30 40 03

### FINLAND

ESAB Oy  
Helsinki  
Tel: +358 9 547 761  
Fax: +358 9 547 77 71

### FRANCE

ESAB France S.A.  
Cergy Pontoise  
Tel: +33 1 30 75 55 00  
Fax: +33 1 30 75 55 24

### GERMANY

ESAB GmbH  
Solingen  
Tel: +49 212 298 0  
Fax: +49 212 298 218

### GREAT BRITAIN

ESAB Group (UK) Ltd  
Waltham Cross  
Tel: +44 1992 76 85 15  
Fax: +44 1992 71 58 03

ESAB Automation Ltd  
Andover  
Tel: +44 1264 33 22 33  
Fax: +44 1264 33 20 74

### HUNGARY

ESAB Kft  
Budapest  
Tel: +36 1 20 44 182  
Fax: +36 1 20 44 186

### ITALY

ESAB Saldatura S.p.A.  
Mesero (Mi)  
Tel: +39 02 97 96 81  
Fax: +39 02 97 28 91 81

### THE NETHERLANDS

ESAB Nederland B.V.  
Utrecht  
Tel: +31 30 2485 377  
Fax: +31 30 2485 260

## NORWAY

AS ESAB  
Larvik  
Tel: +47 33 12 10 00  
Fax: +47 33 11 52 03

## POLAND

ESAB Sp.zo.o.  
Katowice  
Tel: +48 32 351 11 00  
Fax: +48 32 351 11 20

## PORTUGAL

ESAB Lda  
Lisbon  
Tel: +351 8 310 960  
Fax: +351 1 859 1277

## SLOVAKIA

ESAB Slovakia s.r.o.  
Bratislava  
Tel: +421 7 44 88 24 26  
Fax: +421 7 44 88 87 41

## SPAIN

ESAB Ibérica S.A.  
Alcalá de Henares (MADRID)  
Tel: +34 91 878 3600  
Fax: +34 91 802 3461

## SWEDEN

ESAB Sverige AB  
Gothenburg  
Tel: +46 31 50 95 00  
Fax: +46 31 50 92 22  
  
ESAB international AB  
Gothenburg  
Tel: +46 31 50 90 00  
Fax: +46 31 50 93 60

## SWITZERLAND

ESAB AG  
Dietikon  
Tel: +41 1 741 25 25  
Fax: +41 1 740 30 55

## North and South America

### ARGENTINA

CONARCO  
Buenos Aires  
Tel: +54 11 4 753 4039  
Fax: +54 11 4 753 6313

### BRAZIL

ESAB S.A.  
Contagem-MG  
Tel: +55 31 2191 4333  
Fax: +55 31 2191 4440

### CANADA

ESAB Group Canada Inc.  
Mississauga, Ontario  
Tel: +1 905 670 02 20  
Fax: +1 905 670 48 79

### MEXICO

ESAB Mexico S.A.  
Monterrey  
Tel: +52 8 350 5959  
Fax: +52 8 350 7554

### USA

ESAB Welding & Cutting Products  
Florence, SC  
Tel: +1 843 669 44 11  
Fax: +1 843 664 57 48

## Asia/Pacific

### CHINA

Shanghai ESAB A/P  
Shanghai  
Tel: +86 21 5308 9922  
Fax: +86 21 6566 6622

### INDIA

ESAB India Ltd  
Calcutta  
Tel: +91 33 478 45 17  
Fax: +91 33 468 18 80

### INDONESIA

P.T. ESABindo Pratama  
Jakarta  
Tel: +62 21 460 0188  
Fax: +62 21 461 2929

### JAPAN

ESAB Japan  
Tokyo  
Tel: +81 3 5296 7371  
Fax: +81 3 5296 8080

### MALAYSIA

ESAB (Malaysia) Snd Bhd  
Selangor  
Tel: +60 3 8027 9869  
Fax: +60 3 8027 4754

### SINGAPORE

ESAB Asia/Pacific Pte Ltd  
Singapore  
Tel: +65 6861 43 22  
Fax: +65 6861 31 95

### SOUTH KOREA

ESAB SeAH Corporation  
Kyungnam  
Tel: +82 55 269 8170  
Fax: +82 55 289 8864

### UNITED ARAB EMIRATES

ESAB Middle East FZE  
Dubai  
Tel: +971 4 887 21 11  
Fax: +971 4 887 22 63

## Representative offices

### BULGARIA

ESAB Representative Office  
Sofia  
Tel/Fax: +359 2 974 42 88

### EGYPT

ESAB Egypt  
Dokki-Cairo  
Tel: +20 2 390 96 69  
Fax: +20 2 393 32 13

### ROMANIA

ESAB Representative Office  
Bucharest  
Tel/Fax: +40 1 322 36 74

### RUSSIA

LLC ESAB  
Moscow  
Tel: +7 095 543 9281  
Fax: +7 095 543 9280

### LLC ESAB

St Petersburg  
Tel: +7 812 336 7080  
Fax: +7 812 336 7060

## Distributors

*For addresses and phone numbers to our distributors in other countries, please visit our home page*

[www.esab.com](http://www.esab.com)



ESAB AB  
SE-695 81 LAXÅ  
SWEDEN  
Phone +46 584 81 000

[www.esab.com](http://www.esab.com)